




# Acme Sanitary Ware Co Ltd

Acme Building, 22-28 Nanking Street, Kowloon, Hong Kong  
 Tel: 2388 7171 Fax: 2710 8012  
 E-mail: acme@acmesanitary.com.hk  
 Website: www.acmesanitaryware.com.hk

PROJECT		REF		REV	ITEM CODE	
LOCATION		DATE			PAGE	

## SANITARY WARE SPECIFICATION SHEET

Item Descriptions	Mediclinics (Spain) stainless steel AISI 304 wall-mounted lever foam soap dispenser in satin finish	Illustration/ Drawing 
Dimensions	L110 x W175 x H250 mm	
Model	DJFP035CS	
Material/ Finish	Stainless Steel / Satin Finish	
Manufacturer	Mediclinics, S.A. (Spain)	
Supplier	Acme Sanitary Ware Co. Ltd Mr. Eric Wong/ Mr. Don Yuen	
Contact Tel/Fax	(852) 2388-7171 / (852) 2710-8012	
E-mail Website	acme@acmesanitary.com.hk www.acmesanitary.com.hk	

**General Description**

- Foam soap dispenser of 1.5 L capacity, manufactured in stainless steel AISI 304, 0,8 mm thick, to be installed directly on the wall and lever-operated by means of an stainless steel lever.
- Available in four finishes (white, black, bright and satin) these soap dispenser models have a functional, robust and trendy design that matches the new range of Mediclinics bathroom accessories. This allows this soap dispenser to blend into any space perfectly.
- Suitable for high traffic facilities and for public use.
- Dispenses foam soaps.

**Components & materials**

- **DJFP035:** Stainless steel AISI 304, white epoxy finish.
- **DJFP035C:** Stainless steel AISI 304, bright finish.
- **DJFP035CS:** Stainless steel AISI 304, satin finish.
- **DJFP035B:** Stainless steel AISI 304, black epoxy finish.
- Level display in the front part that constantly indicates the level of soap available inside the soap dispenser.
- Inner plastic tank that prevents oxidation and that can be easily removed for cleaning and disinfection purposes.
- Lever made in stainless steel.
- Anti-drip corrosion resistant valve that dispenses 1.0 ml of soap per service. This anti-drip valve, which dispenses foam soap, is easily interchangeable with the valves of the other soap dispensers of the same line.
- Hinged cover for operator convenience and speed of service.
- Opening on top with provided Mediclinics key that allows soap refill.
- It is mounted on the wall by means of four Ø4 stainless steel screws (provided) with their corresponding Ø 6mm plastic plugs (also provided).
- It is recommended to use foam soaps with a density between 0.95 and 1.05 kg/dm<sup>3</sup>.

**Operation**

- Place one hand just under the soap dispenser valve and press the lever until the end of the soap dosage.

**Mounting Template**

- 10-15 cm from shelf.



**DJFP035**  
White finish



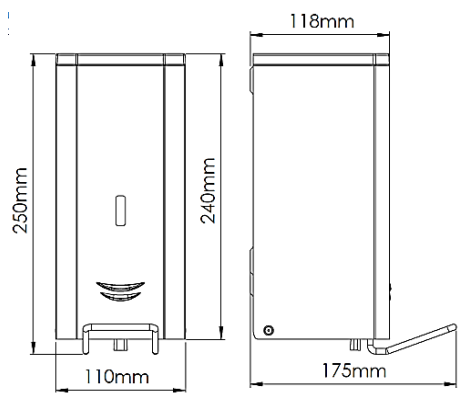
**DJFP035B**  
Black finish



**DJFP035C**  
Bright finish



**DJFP035CS**  
Satin finish



**Technical Specifications**

Dimensions	250 x 110 x 175 mm
Capacity	1,500 ml
Body, cover & base plate thickness	0.8 mm
Inner Tank Thickness	2.5 mm
Net weight	1.25 Kg
Quantity dispensed per pump	1.0 ml

Note:

\* All information of the above is the reference only. No prior notice is made if any changes.